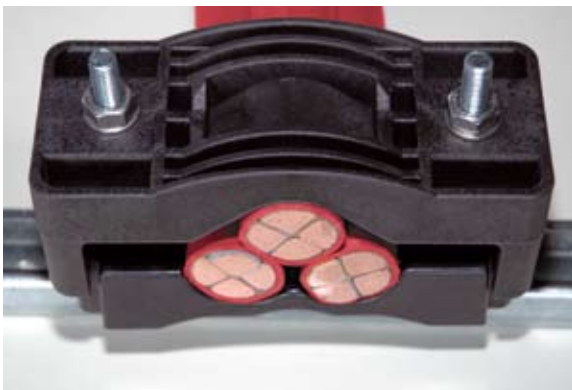
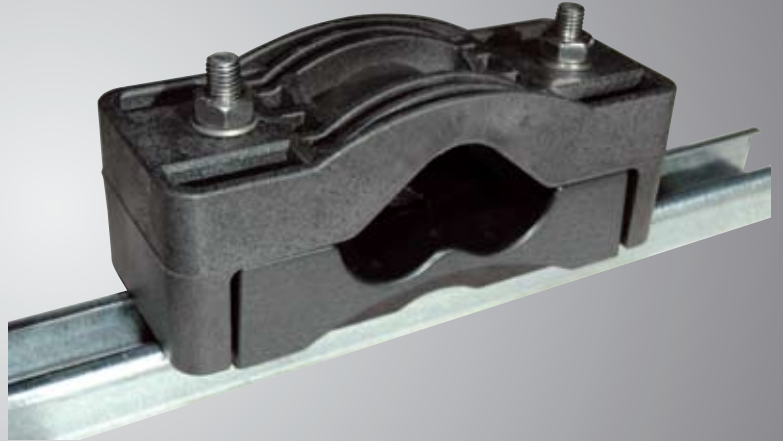


Dutchclamp®

Cable Clamps - TRIPLE types



Triple types: fastening a wide range of single and multi conductor low and high voltage cables in triangular formation. Designed to provide superior mechanical strength, ideal for installations where cables are subject to top short circuits. The wide of the clamping area provides a controlled pressure on the cable and avoids damage to the isolation.

Triple types are manufactured from fibreglass-reinforced Polyamide and are unique in their additives, which results in a longer life span of 50 years. Polyamide is highly resistant against humidity, which makes the cable clamps suitable for both inside and outside installations. Because of the use of this raw material, the cable clamps are also resistant against corrosion, ozone, frost, oil, acids, salts, aggressive materials and UV radiation. There is no reduction of strength and signs of degrading within temperature ranges from -40°C up to $+120^{\circ}\text{C}$.

Triple types are tested by **The Underwriters Laboratories Inc. USA.**

Triple types are constructed in such a way that they have an exceptionally high mechanical strength of **more than 30.000 Nm.**

Triple types are stackable and therefore space-saving.

Triple types can be delivered directly from stock.

P.O. Box 9078 3301 AB Dordrecht The Netherlands
Egstraat 1 3319 LA Dordrecht The Netherlands
Phone : +31 (0)78 6 211 212
Fax : +31 (0)78 6 211 226
E-mail : export@dutchclamp.com
Site : www.dutchclamp.com

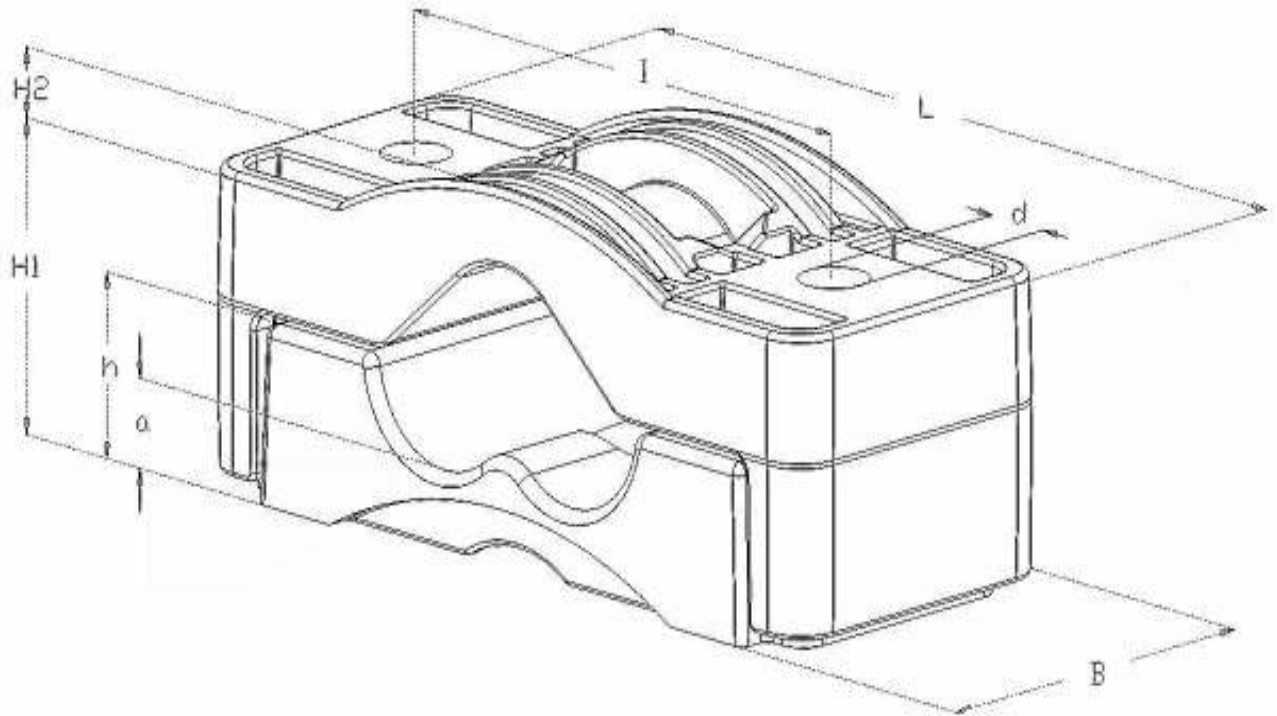


SLAGBOOM
ELECTRIC

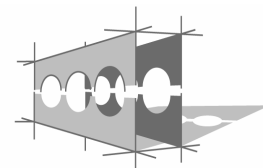
No rights may be derived from the indicated sizes, as the products are subject to ongoing development. Slagboom Electric therefore reserves the right to implement these changes without notice.

Dutchclamp®

TRIPLE types



Dimensions in mm									
Type	D ø	L	B	I	d	H1	H2	h	a
TRIPLE 27-38	3x 27 - 38	180	75	125	15.5	63	12	35	16.5
TRIPLE 38-51	3x 38 - 51	195	80	145	15.5	84	16	45	20
TRIPLE 51-69	3x 51 - 69	220	85	170	15.5	109	21	58	26
TRIPLE 69-90	3x 69 - 90	252	90	215	15.5	134	29	72	30
TRIPLE 90-118	3x 90 - 118	321	100	270	15.5	180	27	89	33
Type	Mechanical strength								
TRIPLE 27-38	35.900 Nm								
TRIPLE 38-51	39.800 Nm								
TRIPLE 51-69	69.900 Nm								
TRIPLE 69-90	56.700 Nm								
TRIPLE 90-118	54.300 Nm								



SLAGBOOM
ELECTRIC

P.O. Box 9078 3301 AB Dordrecht The Netherlands
 Egstraat 1 3319 LA Dordrecht The Netherlands
 Phone : +31 (0) 78 6 211 212
 Fax : +31 (0) 78 6 211 226
 E-mail : export@dutchclamp.com
 Site : www.dutchclamp.com