

Dutchclamp®

Cable Clamps - SE types



SE types: fastening a wide range of single and multi conductor low and high voltage cables. Designed to provide superior mechanical strength, ideal for installations where cables are subject to top short circuits. The wide range of the clamping area provides a controlled pressure on the cable and avoids damage to the isolation.

SE types are manufactured from fibreglass-reinforced Polyamide and are unique in their additives, which results in a longer life span of 50 years. Polyamide is very well resistant against humidity, which makes these cable clamps suitable for both inside and outside installations. Because of the use of this raw material, the cable clamps are also resistant against corrosion, ozone, frost, oil, acids, salts, aggressive materials and UV radiation. There is no reduction of strength and signs of degrading within temperature ranges from -40°C up to +120°C.

SE types are tested by the **Prof. Ir. Damstra Laboratory (KEMA registered and part of Eaton Electric B.V.)** and **The Underwriters Laboratories Inc.** in America.

SE types are constructed in such a way that they have an exceptionally high mechanical strength of **20.000 up to 30.000 Nm**.

SE types can be delivered directly from stock.

P.O. Box 9078 3301 AB Dordrecht The Netherlands
Egstraat 1 3319 LA Dordrecht The Netherlands
Phone : +31 (0)78 6 211 212
Fax : +31 (0)78 6 211 226
E-mail : export@dutchclamp.com
Site : www.dutchclamp.com

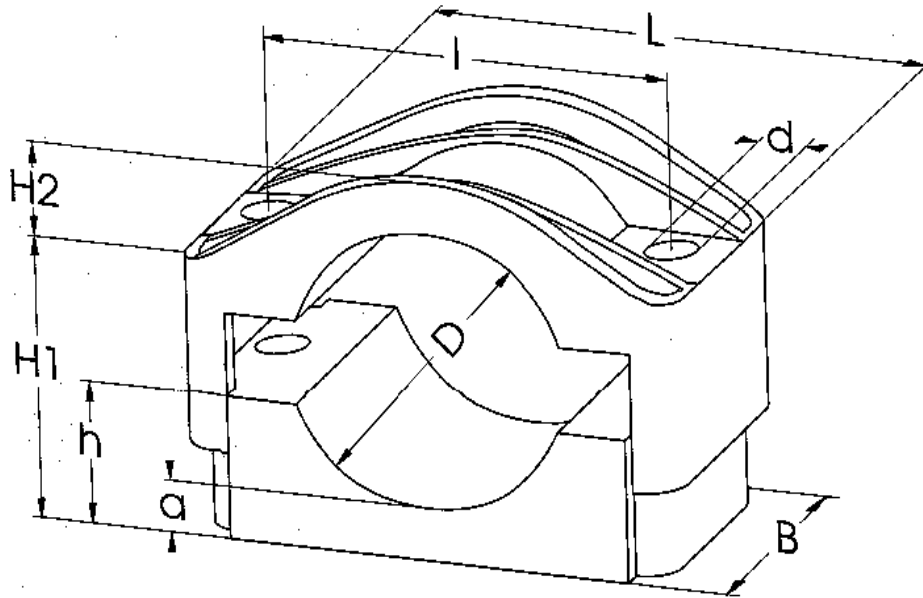


SLAGBOOM
ELECTRIC

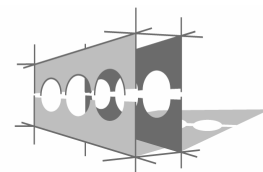
No rights may be derived from the indicated sizes, as the products are subject to ongoing development. Slagboom Electric therefore reserves the right to implement these changes without notice.

Dutchclamp®

SE types



Dimensions in mm										Mechanical resistance
Type	D ø	L	B	I	d	H1	H2	h	a	
SE 26-38	26 - 38	92	60	60	12	33-49	7	18	7	30.000 Nm
SE 36-52	36 - 52	105	60	75	12	39-55	15	23	8	20.000 Nm
SE 50-75	50 - 75	126	60	95	12	46-71	22	30	9	20.000 Nm
SE 75-100	75 - 100	200	80	150	15	70-95	32	45	10	68.800 Nm
SE 100-135	100 - 135	225	85	175	15	85-120	43	58	10	67.400 Nm



SLAGBOOM
ELECTRIC

P.O. Box 9078 3301 AB Dordrecht The Netherlands
 Egstraat 1 3319 LA Dordrecht The Netherlands
 Phone : +31 (0) 78 6 211 212
 Fax : +31 (0) 78 6 211 226
 E-mail : export@dutchclamp.com
 Site : www.dutchclamp.com